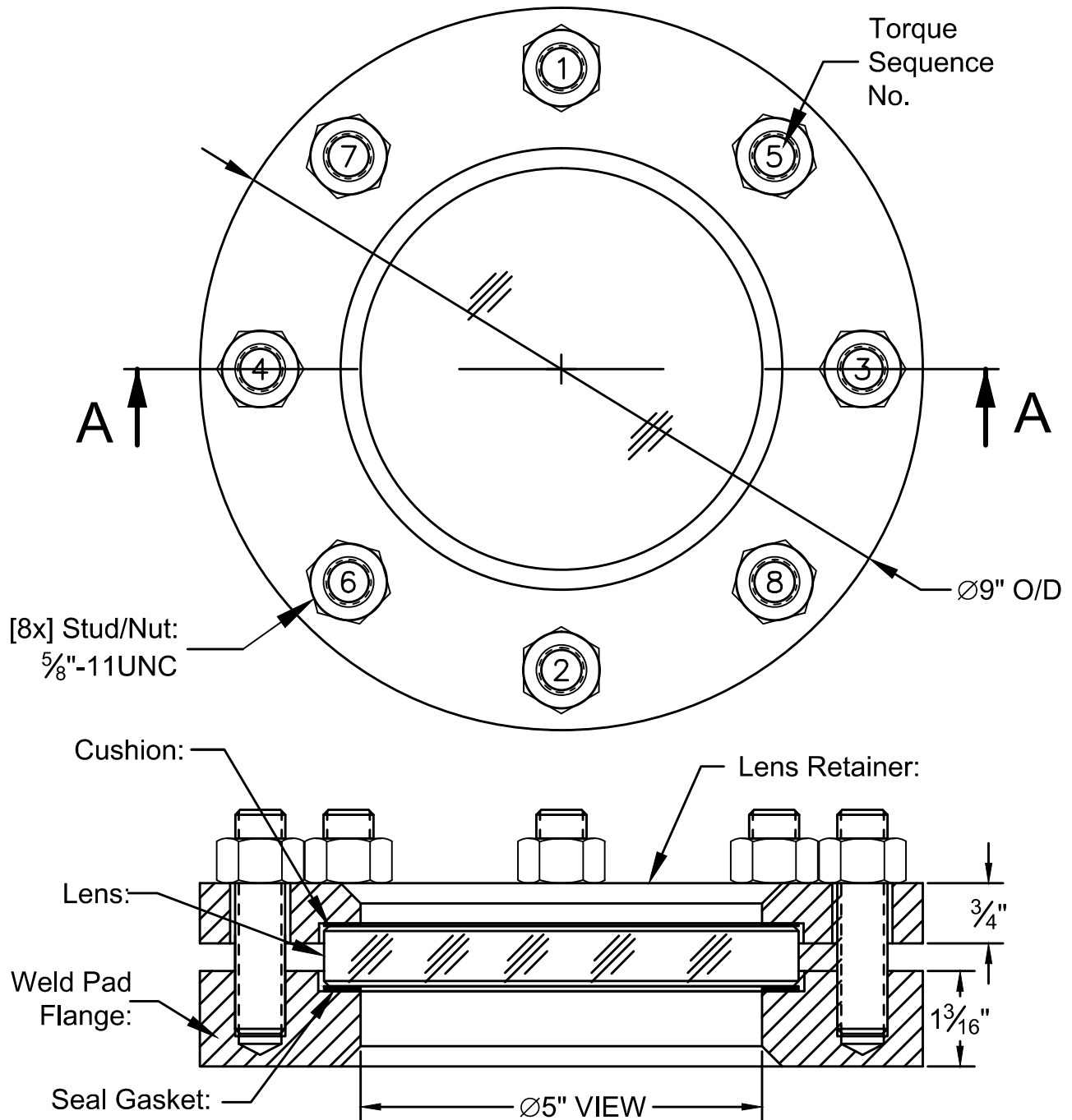


NW100 | Ø5" VIEW WELD PAD STYLE CIRCULAR SIGHT GLASS:



- NOTES:
1. FASTENER CONFORM TO ASME SECTION VIII REQUIREMENTS
 2. FLANGES ARE ASME SECTION VIII PLATE OR FORGINGS [CMTR'S PROVIDED]
 3. RATING: 150PSI/FV
 4. FOR TORQUE VALUES AND INSTALLATION INSTRUCTION SEE JGPCO MANUAL #001

TORQUE TABLE - FT-LBS		
ELASTOMER	EXPANDED PTFE	GRAFOIL
14	20	17

UNLESS OTHERWISE NOTED: DIMENSIONS ARE IN INCHES. DIMENSIONS SYMMETRICAL ABOUT CENTERLINES. BREAK CORNERS. REMOVE BURRS. CAST FILLET RADII: $\frac{1}{8}$ "R, CAST CORNER RADII: $\frac{1}{16}$ "R

WARNING: ASME CODE CALCULATIONS AND ANY RESULTING ADDITIONAL MATERIAL NEEDED TO REINFORCE SIGHT GLASS OPENING TO MEET ASME CODE IS THE RESPONSIBILITY OF THE VESSEL MANUFACTURER.

PAPAILIAS
INCORPORATED

245 PEGASUS AVE, NORTHVALE, NJ 07647 | [201]767-4027 WWW.PAPAILIAS.COM

SERIES NW100
5"Ø ASME SECT. VIII WELD PAD STYLE SIGHTGLASS

THIS DRAWING IS THE SOLE PROPERTY OF THE PAPAILIAS COMPANY, INC. AND NEITHER THE DOCUMENT NOR THE INFORMATION CONTAINED HEREIN SHALL BE COPIED, REPRODUCED, DISCLOSED OR TRANSFERRED, EXCEPT AS AUTHORIZED IN WRITING.

DRAWN:	GCP	4/5/2014	SIZE	CODE IDENT NO.	DRAWING NO.	REV
CHK'D:	RPS	4/5/2014	A	1Z740	01A100	0
APPV'D:	RPS	4/5/2014	SCALE: 1/2	WEIGHT: 26LBS [12 KGS]	SHEET: 1 OF 1	